

JACE-3E & JACE-6E MOUNTING AND WIRING GUIDE

The JACE-3E and JACE-6E controllers are compact, embedded controller/server platforms that allow integrated control and management of external devices over the Internet.

The JACE-3E uses a PowerPC 405 400Mhz processor; the JACE-6E uses a PowerPC 440 524Mhz processor.

Each controller supports two optional communications cards as well as optional I/O expansion modules. Onboard static RAM (SRAM) provides NiagaraAX station backup capability without any battery installed. An optional backup battery is also available.



The VYKON logo features the word 'VYKON' in a bold, blue, sans-serif font. The letter 'O' is replaced by a red sphere with a white highlight, giving it a 3D appearance. A registered trademark symbol (®) is located to the upper right of the 'N'.

TABLE OF CONTENTS

About This Guide	4
Related Documentation	4
Preparation	5
Included in this Package	5
Material and Tools Required	5
Precautions	6
Safety Precautions	6
Static Discharge Precautions	6
Battery Precautions	7
WEEE (Waste of Electrical and Electronic Equipment)	7
Mounting	8
Environmental Requirements	8
Physical Mounting	8
Removing and Replacing the Cover	10
Board Layout	10
About Expansion Options	11
About Option Cards	11
About Accessory Modules	13
Wiring Details	14
Grounding	15
Power Wiring	15
Communications Wiring	18
RS-485 Biasing	20
Power Up and Initial Checkout	23
Apply Power	23
Check the Status LED	23
About Backup Configurations	24
SRAM	24
NiMH battery pack	25

© 2013 Tridium, Inc.
3951 Westerre Parkway, Suite 350
Richmond, Virginia 23233 USA

Information and/or specifications published here are current as of the date of publication of this document. Tridium, Inc. reserves the right to change or modify specifications without prior notice. The latest product specifications can be found by contacting our corporate headquarters, Richmond, Virginia. Products or features contained herein are covered by one or more U.S. or foreign patents. This document may be copied by parties who are authorized to distribute Tridium products in connection with distribution of those products, subject to the contracts that authorize such distribution. It may not otherwise, in whole or in part, be copied, photocopied, reproduced, translated, or reduced to any electronic medium or machine-readable form without prior written consent from Tridium, Inc. Complete confidentiality, trademark, copyright and patent notifications can be found at: <http://www.tridium.com/galleries/SignUp/Confidentiality.pdf>.

JACE, Niagara Framework, Niagara AX Framework and the Sedona Framework are trademarks of Tridium, Inc.

Status LEDs	26
Ethernet Ports	26
Heartbeat	26
Status	26
Serial Ports	27
Maintaining the Controller	27
Cleaning	27
NiMH Battery Installation and Maintenance	27
Replacement Parts	30
Non-replaceable Parts	30
Standard Replacement Parts	30
New Replacement Unit	30
Replacing the Controller Base Assembly	31
Returning a Defective Unit	33
Certifications	35
Tab Mounting Dimensions	36

About This Guide

This document covers the mounting and wiring of the VYKON® JACE-3E (J-300E) and JACE-6E (J-600E) controllers. It assumes that you are an engineer, technician, or service person who is performing control system installation. Instructions in this document apply to the following products:

Model	Description
J-300E	DIN mount JACE-3E controller, using PowerPC 405 400Mhz processor, 256MB DDR2 RAM, 128MB Serial Flash, 512MB Static RAM (SRAM). Powered by one of the two separate plug-in power supply modules, or by wall mount AC power adapter. Controller supports optional I/O expansion modules and internal communications option cards. <i>NOTE:</i> NiagaraAX-3.7.106 or later is required for a JACE-3E (J-300E).
J-600E, J-600E-USA	DIN mount JACE-6E controller, using PowerPC 440 524Mhz processor, 256MB DDR RAM, 128MB Serial Flash, 512MB Static RAM (SRAM). Powered by one of the two separate plug-in power supply modules, or by wall mount AC power adapter. Controller supports optional I/O expansion modules and internal communications option cards. <i>NOTE:</i> NiagaraAX-3.6.47 or later is required for a JACE-6E (J-600E).
NPB-PWR	24Vac/dc input/15Vdc output power supply module, DIN mountable.
NPB-PWR-UN	120–240Vac universal input/15Vdc output power supply module, DIN mountable.
WPM-XXX	Wall-mount, Class 2 universal AC power adapter, with different models available, where -XXX is either: -US, -EUR, or -UK (vary by AC wall plug).



Note

Not covered in this document is the Niagara^{AX} software installation and configuration required for a fully functioning unit. Refer to the *JACE Niagara AX Install and Startup Guide* for this information.

In addition, the mounting and wiring of JACE expansion options are covered in separate documents. See “[Related Documentation](#)”, and also the section “[About Expansion Options](#),” page 11.

Related Documentation

For more information on configuring and using the JACE-3E or JACE-6E controller, refer to the following documents:

- *JACE NiagaraAX Install and Startup Guide*
- *JACE Data Recovery Service (SRAM Support) - Engineering Notes*
- *IO-16 Installation and Configuration Guide*
- *IO-34 Installation and Configuration Guide*
- Various option card installation documents, such as:
 - *NPB-LON Option Install Sheet*
 - *NPB-2X-485 Option Install Sheet*
 - *NPB-232 Option Install Sheet*
 - *NPB-GPRS Modem Install Sheet*
 - *NPB-ZWAVE Option Install Sheet*
 - *NPB-SED-001 Option Card Install Sheet*
- *NiagaraAX Ndio Guide*
- *NiagaraAX User Guide*

Preparation

Unpack the controller and inspect the package contents for damaged or missing components. If damaged, notify the appropriate carrier at once and return any damaged components for immediate repair or replacement. See [“Returning a Defective Unit”](#) on page 33.

- [Included in this Package](#)
- [Material and Tools Required](#)

Included in this Package

Included in this package you should find the following items:

- A JACE-3E or JACE-6E controller.
- This *JACE-3E & JACE-6E Mounting and Wiring Guide*, Part Number 12763 Rev 1.0.
- a hardware bag containing the following items:
 - One (1) grounding wire, with quick-disconnect 0.187" female connector.

Material and Tools Required

The following supplies and tools are typically required for installation:

- A suitable power module, as one of the following types:
 - NPB-PWR: 24Vac or 24Vdc, in-line, DIN mount capable, with grounding wire.
 - NPB-PWR-UN: 120–240Vac, in-line, DIN mount capable, with grounding wire
 - WPM-XXX: External wall-mount power adapter (input 90–254Vac, 50–60 Hz, output: 15Vdc, 1A), where XXX varies by AC wall plug, for installation locale, as: WPM-US (U.S. or Japan installations), WPM-EUR (European installations, type “C” plug), or WPM-UK (United Kingdom installations, type “B” plug).



Note Using an NPB-PWR power module provides the widest operating temperature range. See [“Environmental Requirements,”](#) page 8.

- If using a NPB-PWR (24V) power module, either one of the following:
 - UL listed, Class 2, 24Vac transformer, rated at minimum of 7.5VA to 20VA (approximate range of controller alone, to fully-expanded unit with four additional T-IO-16 modules and other option boards). Note that a dedicated transformer is required (cannot also power additional equipment).
 - 24Vdc power supply, capable of supplying at least 1A (24W).
- DIN rail, type NS35/7.5 (35mm x 7.5mm) and DIN rail end-clips (stop clips), recommended for any installation that includes NPB-PWR or NPB-PWR-UN power module and/or optional I/O modules.
- Suitable tools and fasteners for mounting unit and accessories.
- #2 phillips screwdriver: used to install and remove any option card.
- Small flat-blade screwdriver: used for making wiring connections to removable screw terminal plugs, also for mounting and removing modules from DIN rail.

Precautions

This document uses the following warning and caution conventions:



Caution

Cautions remind the reader to be careful. They alert readers to situations where there is a chance that the reader might perform an action that cannot be undone, might receive unexpected results, or might lose data. Cautions contain an explanation of why the action is potentially problematic.



Warning

Warnings alert the reader to proceed with extreme care in situations where there is a chance that the reader might do something that can result in personal injury or equipment damage. Warnings contain an explanation of why the action is potentially dangerous.

Safety Precautions

The following are warnings relating to the installation and start-up of the controller. Be sure to heed these warnings to prevent personal injury or equipment damage.



Warning

- **Depending on power module used, the circuit powering the controller is 120–240Vac at 50/60 Hz (if a NPB-PWR-UN), 24Vac at 50/60 Hz or 24Vdc (if a NPB-PWR), or from 100–240Vac at 50/60 Hz (if a WPM-XXX). Disconnect power before installation or servicing to prevent electrical shock or equipment damage.**
- **Make all connections in accordance with national and local electrical codes. Use copper conductors only.**
- **To reduce the risk of fire or electrical shock, install in a controlled environment relatively free of contaminants.**
- **This device is only intended for use as a monitoring and control device. To prevent data loss or equipment damage, do not use it for any other purpose.**

Static Discharge Precautions

Static charges produce voltages high enough to damage electronic components. The controller's microprocessors and associated circuitry are sensitive to static discharge. Follow these precautions when installing, servicing, or operating the system:



Caution

- Work in a static-free area.
- Discharge any static electricity you may have accumulated. Discharge static electricity by touching a known, securely grounded object.
- Do not handle printed circuit boards (PCBs) without proper protection against static discharge. Use a wrist strap when handling PCBs. The wrist strap clamp must be secured to earth ground.

Battery Precautions



Caution

- The optional NiMH battery used in this device may present a risk of fire or chemical burn if mistreated. Do not disassemble, heat above 122°F (50°C), or incinerate. Replace battery pack with type NPB-BAT Only. Use of another battery may present a risk of fire or explosion.
- Dispose of used battery promptly. Keep away from children. Do not disassemble and do not dispose of in fire.
- Replace external backup battery with Listed Power Source Battery Only.

WEEE (Waste of Electrical and Electronic Equipment)

Recycling of Electronic Products: (International Installations)

In 2006 the European Union adopted regulations (WEEE) for the collection and recycling of all waste electrical and electronic equipment. It is no longer allowable to simply throw away such equipment. Instead, these products must enter the recycling process. To properly dispose of this product, please take it to a local recycling center.

If a local recycling center cannot be found, please return it to one of these offices:

Tridium Europe Ltd
1, The Grainstore
Brooks Green Road
Coolham, West Sussex
RH13 8GR United Kingdom

Tridium Asia Pacific Pte Ltd
17 Changi Business Park Central 1
Honeywell Building
Singapore 486073

Tridium, Inc.
2256 Dabney Road, Suite C
Richmond, VA 23230

Mounting

Before mounting the controller, install any option card(s). See “[About Option Cards](#),” page 11. Also see “[RS-485 Biasing](#),” page 20. Then mount the controller in a location that allows clearance for wiring, servicing, and module removal.



Note This product is for **indoor use** only, altitude to 2,000m (6,562 ft.) maximum. Depending on installed options, the allowable temperature range varies. See “[Environmental Requirements](#)” below.

Avoid mounting the controller in a manner that would make it difficult to operate the disconnect device. See “[Physical Mounting](#)” for more details.

Environmental Requirements

- Do not expose the unit to ambient operating temperatures outside the range: 0°C (32°F) to 60°C (140°F), providing the unit:
 - Is **not** powered by the AC line input NPB-PWR-UN module¹ , and
 - The optional NiMH battery pack is **not installed**.
 Otherwise, 0°C (32°F) to 50 (122°F) is the ambient operating temperature range.
- Relative humidity range is 5% to 95% non-condensing.
- Pollution Degree III.
- Supply (mains) voltage requirements are as follows:
 - Allowable voltage fluctuation to -15%, +10%, Temporary overvoltages +/- 15%.
 - Transient overvoltages: Overvoltage Category II.
- If mounting inside an enclosure, that enclosure should be designed to keep the unit within its required operating range considering a 20-watt dissipation by the controller, plus dissipation from any other devices installed in the same enclosure. This is especially important if the controller is mounted inside an enclosure with other heat producing equipment.
- Do not mount the unit:
 - in an area with excessive moisture, corrosive fumes, or explosive vapors.
 - where vibration or shock is likely to occur.
 - in a location subject to electrical noise. This includes the proximity of large electrical contactors, electrical machinery, welding equipment, spark igniters, and variable frequency drives.

Physical Mounting

The following information applies about physically mounting the unit.

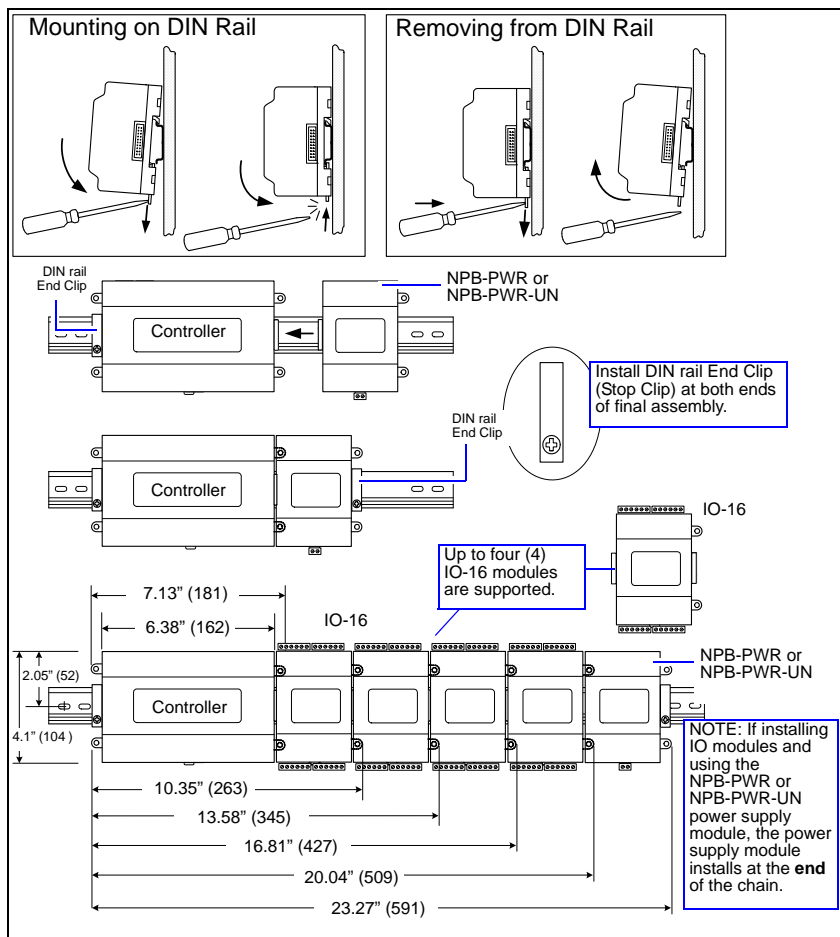
- You can mount the controller in any orientation. It is not necessary to remove the cover before mounting.

1. Powering the controller with the wall mount adapter (WPM-XXX) at 60°C (140°F) is supported, however, at 60°C its output is derated 50%, i.e. 15V at 0.5A (7.5W). No IO modules are supported.

- Mounting on a 35mm wide DIN rail is recommended. The controller's unit base has a molded DIN rail slot and locking clip, as do the power supply modules and both types of I/O expansion modules. Mounting on a DIN rail ensures accurate alignment of connectors between all modules.
- If DIN rail mounting is impractical, you can use screws in mounting tabs on the controller, as well as any end-connected accessory (NPB-PWR, etc.). Tab mounting dimensions are on the last page of this document.

Figure 1 and the following procedure provides step-by-step DIN rail mounting instructions for the controller.

Figure 1 J-300E or J-600E controller and accessory mounting details.



Procedure 1 To mount on DIN rail

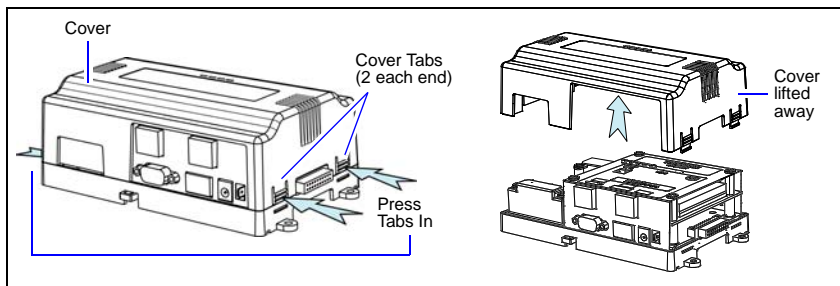
Step 1 Securely install the DIN rail with at least two screws, near the two rail ends.

- Step 2 Position the controller on the rail, tilting to hook DIN rail tabs over one edge of the DIN rail (Figure 1).
- Step 3 Use a screwdriver to pry down the plastic locking clip, and push down and in on the unit, forcing the locking clip to snap over the other DIN rail edge.
- Step 4 Mount any accessory module (I/O module, NPB-PWR) onto the DIN rail in the same manner.
- Step 5 Slide the accessory module along the DIN rail to connect its 20-position plug into the controller.
- Step 6 Repeat this for all accessories, until all are mounted on the DIN rail and firmly connected to each other.
- Step 7 To keep the final assembly together, secure at both ends with DIN rail **end-clips** provided by the DIN rail vendor. This also prevents the assembly from sliding on the DIN rail. See Figure 1.

Removing and Replacing the Cover

You must remove the controller's cover to install any option cards, or to install (or replace) the optional NiMH backup battery. The cover snaps onto the base with four plastic end tabs—two on each end.

Figure 2 Press in four tabs on ends of cover to remove.



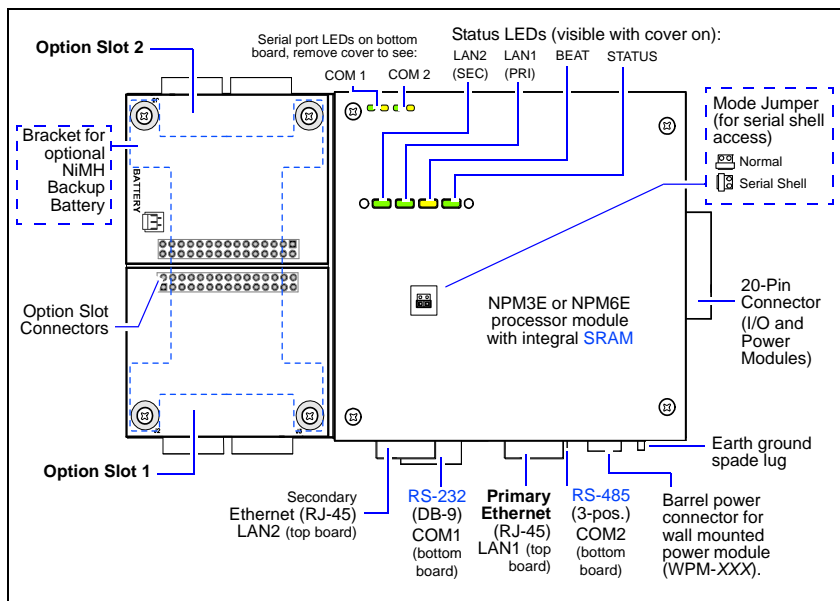
Note If accessory modules are plugged into the controller, you may need to slide them away from the unit to get to the end cover tabs.

- To remove the cover, press in the tabs on both ends of the unit, and carefully lift it off.
- To replace the cover, orient it so the cutout area for comm ports is correct, then push inwards to snap in place.

Board Layout

Figure 3 shows the location of LEDs, option slots, and other features of the J-300E or J-600E controller with cover removed. For a side view of communications ports and other features, see Figure 6 on page 18.

Figure 3 J-300E or J-600E controller main board layout details.



The controller ships with onboard static RAM (SRAM) that can provide station backup during power loss, and also has two (2) open option card slots for a variety of available option cards. For details, see “[About Expansion Options](#)” below, and also “[About Backup Configurations](#),” page 24.

About Expansion Options

The controller provides for **field-installable** expansion using these types of options:

- **Option cards** — Install on connectors on the controller’s base board. See “[About Option Cards](#),” page 11.
- **Accessory modules** — To “chain” on the controller’s 20-pin connector. See “[About Accessory Modules](#),” page 13.

About Option Cards

The controller has two (2) available option slots for option cards designed for use with JACE controllers. Each slot has a 30-pin connector. Installing an option card is recommended before mounting the unit. See “[Installing an Option Card](#),” page 12.



Warning Power to the controller must be OFF when installing or removing option cards, or damage will occur! Also, you must be very careful to plug an option card into its connector properly (pins aligned).

Option cards typically provide additional communications features, with the following available models (with others still in development) listed in [Table 1](#).

Table 1 JACE-3E and JACE-6E Controller Option Cards.

Option	Description	Notes
NPB-2X-485	Dual, optically-isolated, RS-485 adapter with two 3-position removable screw-terminal connector plugs.	If installed in Option slot 1, ports operate as COM3 and COM4. If two 485 option cards, ports are COM3, COM4 for Option slot 1, and COM5, COM6 for Option slot 2.
NPB-LON	FTT-10A LON (LonWorks) adapter with a 2-position removable screw-terminal connector plug.	Port operates as LON1 if only one LON option, or LON2 in slot 2 if two LON cards.
NPB-232	Single port RS-232 adapter, with a DB-9M connector. Supports baud rates up to 115200.	If installed in option slot 1, port operates as COM3. If two 232 option cards, ports are COM3 for Option slot 1 and COM4 for Option slot 2.
NPB-GPRS-W NPB-GPRS	GSM cellular modem card using GPRS (General Packet Radio Service), with onboard socket for SIM card, and a WyleSS SIM.	Includes SMA coax tilt-and-swivel antenna. The NPB-GPRS-W model is bundled with a WyleSS-provisioned SIM card. The NPB-GPRS model does not include a SIM card.
NPB-ZWAVE -US or -EU	Z-Wave wireless serial gateway between the JACE's NiagaraAX station and an RF wireless Z-Wave domain. Includes RP-SMA coax tilt-and-swivel antenna.	-US model is 908.42 MHz for U.S. usage -EU model is 868.42 MHz for European usage. If installed in option slot 1, card operates as COM3.
NPB-SED-001	Sedona Framework option card with both wireless 6LoWPAN and wired RS-485 port, based on the Jennic JN5139 wireless microcontroller. Includes stub antenna.	Enables JACE to operate as wireless network coordinator and 6LoWPAN tunnel, to integrate wireless Sedona-based devices in the hosted station. Card uses one COM port, e.g. COM3 if slot 1. NOTE: COM port used is not available in the hosted NiagaraAX station, but is reserved for future MS/TP support.

Installing an Option Card

For option-specific details, see the mounting & wiring document that accompanies the particular option card. The following procedure provides a basic set of steps.

Procedure 2 Mounting an option card in a J-300E or J-600E controller.

- Step 1 If a station is running, **stop** it using the platform Application Director view.
- Step 2 **Remove power** from the controller—see the previous [Warning](#).
- Step 3 Remove the cover. See [“Removing and Replacing the Cover,”](#) page 10.
- Step 4 If the optional NiMH battery/bracket assembly is installed, remove it by taking out the four screws holding it place, setting them aside for later. Two of these screws will also secure the option card, once installed.
 - a Unplug the battery from the connector on the controller's base board.
 - b Remove the blanking plate from the option slot to be used.
- Step 5 If no optional NiMH battery/bracket assembly is installed, remove the blanking plate for the option slot to be used, retaining the two screws.



Note If you are *also installing* the optional NiMH battery/bracket assembly now, remove and retain the *other* two screws, that is for the other option slot.

Step 6 Carefully insert the pins of the option card into the socket headers of the option card slot.

The mounting holes on the option board should line up with the standoffs on the base board. If they do not, the connector is not properly aligned. Press until the option card is completely seated.

Step 7 Place the custom end plate for the option card over the connector(s) of the option card. With some option cards, the card's end plate is pre-fastened.

Step 8 If installing (or replacing) the optional NiMH battery/bracket assembly:

- a Plug the battery connector plug into the battery connector on the controller's base board.
- b Set the battery and bracket assembly over the option card slots, with the mounting holes aligned with the standoffs.
- c Place the four screws through the bracket, end plates, and into the standoffs on the controller base board. With a screwdriver, hand tighten the screws.

For more details, see "[NiMH Battery Installation and Maintenance](#)," page 27.

Otherwise, place the two screws through the option card end plate and into the standoffs on the base board. With a screwdriver, hand tighten the screws.

Step 9 Replace the cover on the controller.

Step 10 Restore power to the controller and verify normal operation.

About Accessory Modules

The controller has a 20-pin, right-angle, Euro-DIN connector that accepts custom-built accessory modules. The connector provides power and signal lines to any connected modules.



-
- Warning**
- **Power to the controller must be OFF when inserting or unplugging accessory modules. Wait for all LED activity to stop (all LEDs off).**
 - **Also, do not connect live voltages to the inputs or outputs of an I/O module while it is in an "un-powered state" before plugging the module into the controller.**

Otherwise, damage to the I/O module and/or controller may result!

Each accessory module has a DIN-mount base, and typically provides two (2) 20-pin connectors that allow you to "chain" multiple accessories. [Table 2](#) lists the currently available modules.

Table 2 Accessory modules^a compatible with the J-300E and J-600E controller.

Model	Description	Notes
NPB-PWR	DIN-mountable, 24V isolated power module, used to power the controller from a dedicated, external, Class-2, 24Vac transformer or a 24Vdc power supply.	Only one NPB-PWR per controller. <ul style="list-style-type: none"> Do not install if using WPM-XXX or NPB-PWR-UN. For wiring, see “NPB-PWR,” page 15.
NPB-PWR-UN	DIN-mountable, Universal 120–240Vac input, 15Vdc output, 30W power supply to power the controller.	Only one NPB-PWR-UN per controller. <ul style="list-style-type: none"> Do not install if using WPM-XXX or NPB-PWR. For wiring, see “NPB-PWR-UN,” page 16.
IO-16	DIN-mountable, 16 points I/O module, used to provide I/O points as noted.	Up to four (maximum) IO-16 modules are supported. Each provides these I/O points: <ul style="list-style-type: none"> 8 - Universal Inputs (UIs). 4 - Digital Outputs (DOs), SPST-relay type. 4 - Analog Outputs (AOs), 0–10Vdc type. Wiring is covered in the <i>IO-16 Installation and Configuration Guide</i> .
IO-34	DIN-mountable, combined 34 points I/O with 24V isolated power module, used to provide I/O points as well as power the controller from a dedicated, external, Class-2, 24Vac transformer or a 24Vdc power supply.	Only one IO-34 module per controller. This module provides these I/O points: <ul style="list-style-type: none"> 16 - Universal Inputs (UIs). 10 - Digital Outputs (DOs), SPST-relay type. 8 - Analog Outputs (AOs), 0–10Vdc type. Wiring is covered in the <i>IO-34 Installation and Configuration Guide</i> .

a. A wall mount AC adapter (WPM-XXX) is also available; however, it is not an accessory module that mounts on the 20-pin connector of the controller.

Wiring Details

See [Figure 3](#) on page 11 to locate connectors and components on the controller.

Make connections to the controller in the following order.

- Install any option card (LON, RS-485, RS-232, etc.) in the available option slots. See “[Installing an Option Card](#),” page 12 for a procedure. For complete details, refer to the document that shipped with the option card.
If installing the optional NiMH battery, do that after inserting option card(s). See “[NiMH Battery Installation and Maintenance](#),” page 27.
- Connect supplied grounding wire from the earth ground lug on the controller, as well ground wire for each accessory module, to a nearby earth grounding point. See “[Grounding](#),” page 15.
- Prepare power wiring (leave unit powered off). See “[Power Wiring](#),” page 15.
- Connect communications cables. See “[Communications Wiring](#),” page 18 for ports on the controller. For ports on any installed option card (485-PWR, LON, RS-485, modem) see the option’s specific mounting and wiring guide for details.
- If I/O accessory modules are installed, connect I/O wiring. Refer to the appropriate mounting and wiring guide for details.
- Apply power to the unit. See “[Power Up and Initial Checkout](#),” page 23.

Grounding

An earth ground spade lug (0.187") is provided on the controller base for connection to earth ground. For maximum protection from electrostatic discharge or other forms of EMI, connect the supplied earth grounding wire to this lug and a nearby earth ground. Keep this wire as short as possible, see [Figure 4](#) on page 16.

Wire the earth ground spade lug of accessory modules in the same manner.

Power Wiring

The controller must be powered by an approved 15 Vdc power source. This can be either¹ DIN-mountable module: the NPB-PWR, a 24Vac/dc-powered module, or the NPB-PWR-UN, a line-powered 120–240Vac module. Or, an external Class 2 wall mount AC adapter (WPM-XXX) can be used for controller power.



Note See “[Environmental Requirements](#)” on page 8 for mains supply requirements.

The controller does not include an on/off switch. To apply power, you either:

- if NPB-PWR, plug in its 2-position power connector.
- if NPB-PWR-UN, energize the AC circuit (120–240 Vac) wired to that module.
- if WPM-XXX, plug in the power connector to the controller.



Caution Do not connect both the WPM-XXX and NPB-PWR / NPB-PWR-UN supplies at the same time, or equipment damage may result.

Power consumption depends mainly on installed I/O modules, and may vary from:

- Controller alone (with *or* without installed option cards): approximately 7.5 VA (AC) or 7.5 W (DC).
- Controller (with *or* without installed option cards), plus four (4) IO-16 modules: up to 20 VA (AC) or 20 W (DC).

If desired, you can use the wall mount WPM-XXX in your office (to initially commission the controller), and then install the controller at the job using either a NPB-PWR or NPB-PWR-UN module. The following sections provide more details:

- “[NPB-PWR](#),” page 15 (24Vac/dc-powered in-line module)
- “[NPB-PWR-UN](#),” page 16 (Universal 120V–240Vac-powered in-line module)
- “[WPM-XXX \(Wall Mount AC Adapter\)](#),” page 17

NPB-PWR

Use the NPB-PWR module to power the controller (and if installed, IO-16 modules) from a dedicated Class 2, 24Vac transformer, or from a 24Vdc power supply.



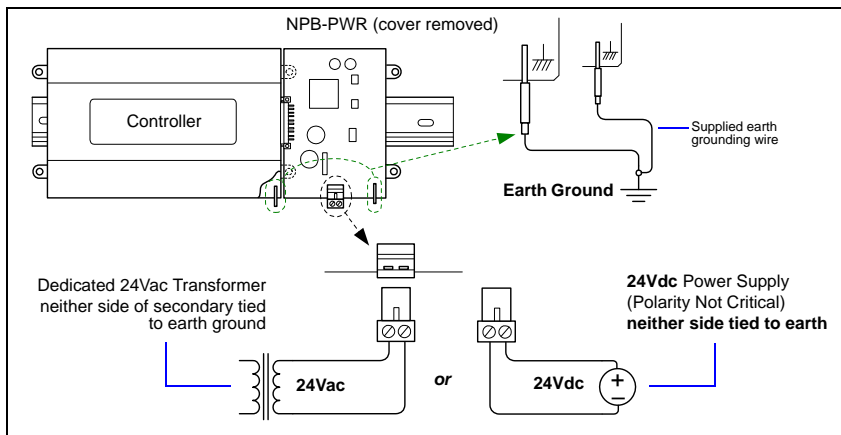
Note If there is no optional NiMH backup battery, using the NPB-PWR allows a higher operating temperature. See “[Environmental Requirements](#),” page 8.

1. A fourth power option is available: a IO-34 accessory module, which is a combination of the NPB-PWR module and two IO-16 modules (plus two extra relays). Refer to its mounting and wiring document for more details. For a listing of modules, see “[About Accessory Modules](#),” page 13.



Note If powering from a 24V transformer, do *not* power any other equipment with it. Otherwise, conducted noise problems may result. Also, do not ground either side of the transformer's 24V secondary.

Figure 4 NPB-PWR module wiring connections.



Located at the bottom of the NPB-PWR module is a 2-position power connector, and an earth ground spade lug, as shown in [Figure 4](#).

Connect the supplied earth ground wire to a nearby earth ground point. Unplug the power connector plug from the module and make connections to it as shown.



Caution Do not plug 24V power into the NPB-PWR (reinsert connector plug) until all other mounting and wiring is completed. See [“Power Up and Initial Checkout,”](#) page 23.

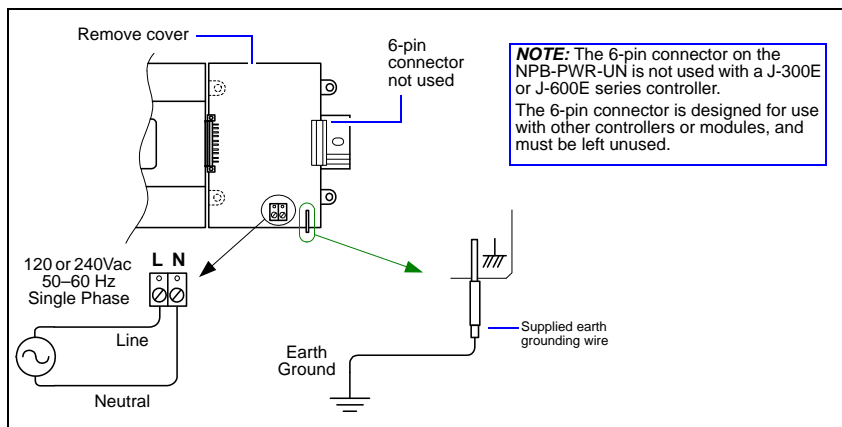
NPB-PWR-UN

The NPB-PWR-UN module lets you power the controller (and if installed, connected I/O modules) from AC line power, with a universal input range from 120–240Vac. If installing IO-16 modules, the NPB-PWR-UN module mounts as the last (end) module in the chain. (see [Figure 1](#) on page 9).



- Warning**
- A 120Vac or 240Vac circuit powers the NPB-PWR-UN. Disconnect power to this circuit before installation to prevent electrical shock or equipment damage.
 - Make all connections in accordance with national and local electrical codes. Use copper conductors only.
 - Do not exceed the 30W capacity of NPB-PWR-UN by the powered devices.

Figure 5 NPB-PWR-UN module wiring connections.



Procedure 3 Wiring NPB-PWR-UN input power and earth ground.

- Step 1 **Remove power** from the AC circuit being wired to the NPB-PWR-UN. See the previous **Warning**.
- Step 2 Remove the NPB-PWR-UN cover.
To do this, press in the four tabs on both ends of the unit, and lift the cover off. If the controller or a IO-16 accessory module is plugged into the unit, you may need to slide it away to get to the cover tabs.
- Step 3 Connect the supplied earth grounding wire to a nearby grounding point. See **Figure 5**.
- Step 4 Make AC circuit connections line (mains) and neutral to the terminals labeled "INPUT PWR."
- Step 5 Replace the cover on the NPB-PWR-UN module.
Make sure all modules in the mounted assembly are firmly connected together and secured.



Caution Do not energize the AC circuit wired to the NPB-PWR-UN until all other controller mounting and wiring is completed. See "Power Up and Initial Checkout," page 23.

WPM-XXX (Wall Mount AC Adapter)

All models of wall power modules (US, EUR, UK) are self-contained, isolated, Class 2, switching power supplies designed to plug into a standard building power receptacle of appropriate voltage. To supply power to the controller, you simply plug the barrel connector plug from the WPM-XXX into the barrel power connector on the controller's base board (see **Figure 3** on page 11).

Note the adapter's 15W output rating is derated 50% at the 60°C (140°F) maximum ambient temperature (for a controller *without* a NiMH battery), such that *no I/O modules are supported at 60°C*. See "Environmental Requirements" on page 8.



Caution Do not plug the barrel connect plug from the WPM-XXX into the controller until all other mounting and wiring is completed. See “Power Up and Initial Checkout,” page 23.

Communications Wiring

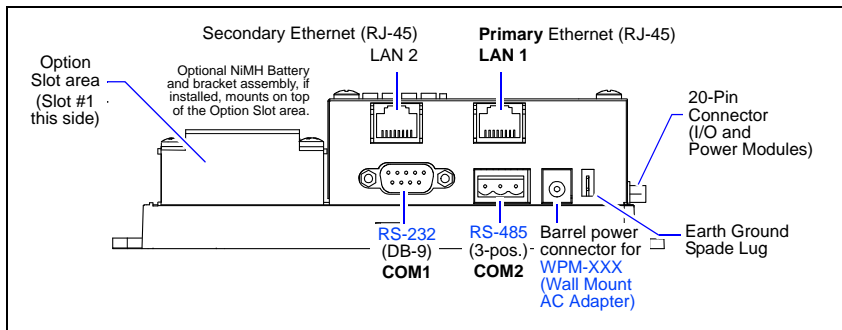
Communications ports are on the controller’s bottom side, which include:

- Ethernet
- Serial



Note Prior to connecting cables, provide strain relief for them to prevent damage to the controller.

Figure 6 J-300E or J-600E controller bottom side (cover removed).



Ethernet

Two, female 10/100-Mbit Ethernet connections are provided on the controller. These RJ-45 connectors are labeled LAN1 (PRI) and LAN2 (SEC). Use a standard Ethernet patch cable for connecting to a hub or Ethernet switch.

The factory-default IP address for LAN1 is 192 . 168 . 1 . 12*n*, where the last numeral *n* in the address matches the last digit in the controller’s serial number, and the subnet mask is 255 . 255 . 255 . 0. By default, LAN2 is disabled.



Note Typically, you **only use LAN1** (primary port), unless you have a specific application for the other LAN2 port. For example, isolating a driver’s network traffic, using LAN2. Do **not** use LAN2 as the primary port.

If enabling LAN2, note that LAN1 and LAN2 must be connected to **different subnets**. Further, a JACE controller **does not provide IP routing or bridging operation** between the two LAN ports.

Refer to the *JACE NiagaraAX Install and Startup Guide* for details on changing IP address using the platform Commissioning Wizard (TCP/IP configuration step).

Serial

There are two “RS” serial ports on the controller’s base board. Each has a UART capable of operation up to 115,200 baud. At the bottom of the board (see [Figure 6](#)) is an **RS-232** port using a DB-9 plug (male) connector. To the right of this is a two-wire plus shield **RS-485** port, using a 3-position screw-terminal connector plug.



Note A green “receive” LED and yellow “transmit” LED are provided for both serial ports. These LEDs are on the controller’s bottom board, on the side opposite to the serial connectors (see [Figure 3](#) on page 11). These LEDs are labeled on the board (COM1, COM2) and are not visible with the cover on.

RS-232

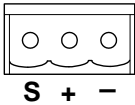
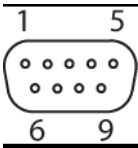
An RS-232 serial port using a male DB-9 connector always operates as COM1. You can use standard DB-9 serial cables with this port.

The controller is a serial DTE device, such that another DTE device (PC, for example) requires a “null modem” cable. If connecting to a DCE device such as a modem, use a straight-through cable. [Table 3](#) provides standard serial DB-9 pinouts.



Note If rebooted with the mode jumper in the “Serial Shell” position (see [Figure 3](#) on page 11), the RS-232 port provides “system shell” access. See the *JACE NiagaraAX Install and Startup Guide* for related details.

Table 3 Base serial port (RS-232 and RS-485) pinouts.

Base RS-232 DB-9 Port (COM1)				RS-485 Port (COM2)
Pinout Reference	Signal		DB-9 Pin	Pinouts
DB-9 Plug (male)	DCD	Data carrier detect	1	3-Position connector (male) 
	RXD	Receive data	2	
	TXD	Transmit data	3	
	DTR	Data terminal ready	4	
	GND	Ground	5	
	DSR	Data set ready	6	
	RTS	Request to send	7	
	CTS	Clear to send	8	
		not used on the JACE		

RS-485

An RS-485 port uses a 3-position, screw terminal connector, and always operates as COM2. As shown in the [Table 3](#) pinouts, from left-to-right the screw terminals are shield (S), plus (+), and minus (–). Wire in a continuous multidrop fashion to other RS-485 devices, meaning “minus to minus”, “plus to plus”, and “shield to shield.” Connect the shield to earth ground at one end only, such as at the controller.

RS-485 Biasing

The RS-485 port on the controller's base board has a pair of two-pin jumpers that can be shorted with jumper blocks to provide "biasing". As shipped from the factory, these pins are not shorted, thus the RS-485 port is unbiased.



Note See "Need for RS-485 Bias" before following the "Adding RS-485 Bias" procedure. In many cases, the default unbiased RS-485 port is preferred.

Need for RS-485 Bias



Note A full discussion of communication line termination is beyond the scope of this document.

Biasing sometimes improves RS-485 communications by eliminating "indeterminate" idle states. When you install two, 2-pin shorting blocks on the controller's RS-485 bias jumper pins, this adds two onboard 3.3K ohm resistors into the controller's RS-485 circuit, as follows:

- from RS-485 "+" to 5V.
- from RS-485 "-" to Ground.



Note

- In general, **only one device** on an RS-485 trunk should be biased. Otherwise, undue loading of the circuit may result, with fewer devices supported.
- RS-485 bias resistors are *different* than "termination resistors", externally installed at the two physical ends of a daisy-chained RS-485 trunk, across the "+" and "-" terminals. Termination resistors are typically 100 or 120 ohm value resistors.
- **Whenever termination resistors are used, RS-485 biasing is typically required.**

Adding RS-485 Bias

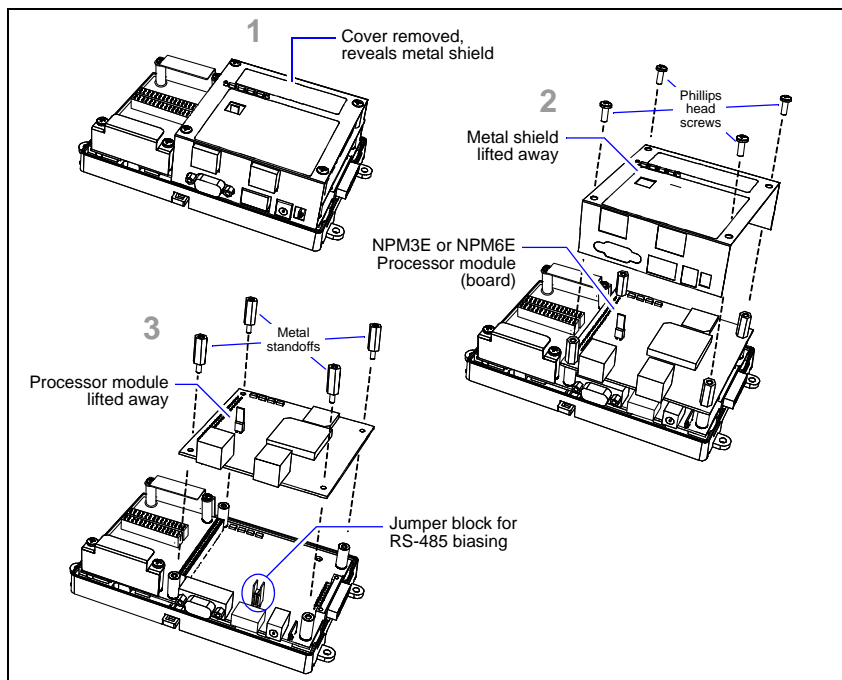
To add biasing, you must power off the controller and remove a few assemblies (such as metal shield and NPM3E or NPM6E processor module) to access the base board jumper pins, located behind the RS-485 port. Then you must reposition the two shorting blocks on these jumper pins. Then you reassemble the unit by remounting the processor module, hex standoffs, metal shield, and shield screws.



Warning Remove all power from the controller before working on the unit. Observe static discharge precautions. See the "Static Discharge Precautions" section on page 6.

If the controller is already installed or mounted, it is recommended that you remove it first. Then work on a flat, stable, well-lit work surface.

Figure 7 Basic stages of controller disassembly.



Procedure 4 Disassembling the controller.

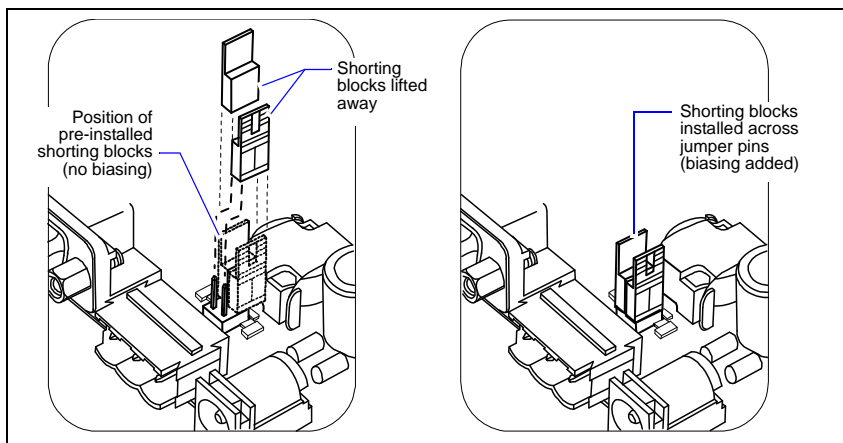
- Step 1 Remove all power from the controller. (See previous [Warning](#)).
- Step 2 Remove the plastic cover. See “[Removing and Replacing the Cover](#),” page 10.
- Step 3 Remove the four Phillips head screws that secure the metal shield, and set them aside.
- Step 4 Remove the metal shield and set it aside.
To do this, carefully pry up from the top (hole vented side) first, then push out the other side to slip the port holes past the port edges. Then lift the shield up and away.



Note Be mindful of the “side clips” on the controller’s two Ethernet ports.

- Step 5 Use a 1/4” (7mm) nutdriver to unscrew the four metal standoffs, and set them aside.
- Step 6 Carefully pry up the NPM3E or NPM6E processor module board, noting that the two-row, 50-pin connector is on the option card side. Keep the board level as you work it loose from this connector.
- Step 7 Set the processor module board aside. Note the jumper block on the base board behind the RS-485 port (see bottom of [Figure 7](#)).

Figure 8 Install shorting blocks across both sides of jumper block to add RS-485 bias.



Procedure 5 Installing shorting blocks to add RS-485 biasing.

- Step 1 Locate the four jumper pins behind the RS-485 port, with 2-pin shorting blocks installed on one pin each. See [Figure 8](#).
- Step 2 To add biasing, remove and replace both shorting blocks back onto the jumper pins, as shown in [Figure 8](#) (right).

Procedure 6 Reassembling the controller.

- Step 1 Carefully replace the processor module board onto the 50-pin connector, with its corner mounting holes aligned on the four lower standoffs. Press down on the connector to fully seat the board. See [Figure 7](#) on page 21.
- Step 2 Refasten the four metal hex standoffs, hand tightening with a 1/4" (7mm) nutdriver.
- Step 3 Replace the shield back onto the unit. To do this, carefully ease it over the port side first, then spring it down over the other side. Make sure that its corner holes align with the metal standoffs below.
- Step 4 Refasten the four Phillips head screws that secure the shield to the standoffs.
- Step 5 Replace the plastic cover onto the unit.

Power Up and Initial Checkout

Ensure power wiring to the controller is ready—see the the “[Power Wiring](#)” section on page 15. See [Figure 3](#) on page 11 for the location of status LEDs and connectors. See [Figure 4](#) on page 16 for the location of the NPB-PWR module’s power connector.

After completing all mounting and wiring, do the following:

Procedure 7 Initial power up and checkout.

- 1 Apply Power.
- 2 Check the Status LED.

Also see the section “[About Backup Configurations](#)” on page 24.

Apply Power

To apply power, insert the power plug into either the NPB-PWR module, or if using a WPM-XXX wall adapter, the controller. If using the line-voltage input NPB-PWR-UN power supply module, energize the 120–240Vac circuit wired to the module.



Caution Do not connect both the WPM-XXX and NPB-PWR / NPB-PWR-UN supplies at the same time, or equipment damage may result.

Check the Status LED

When power is applied, the green LED labeled “STATUS” will light. This indicates that the system is OK, with power applied. When the controller finishes booting, the yellow “BEAT” LED should be blinking steady at a 50% duty cycle, typically at a 1Hz rate. In most cases, this blink pattern starts about 30 seconds after power is applied.

If after applying power, the STATUS LED goes out, or if the BEAT LED comes on (steady) and stays lit over 2 minutes, contact Systems Engineering for technical assistance. See the “[Status LEDs](#)” section on page 26, especially “[Heartbeat](#)”.

About Backup Configurations

A JACE-3E (J-300E) or JACE-6E series (J-600E) controller allows two separate and configurable methods to preserve unsaved station data when "power quality events" occur, including loss of primary power or low-voltage dips (brownout):

- Using the *integral* static RAM (SRAM) on the controller's NPM3E or NPM6E processor module. This default method can allow the unit to operate "battery-less", that is, without installing the optional NiMH battery pack. Note in this configuration a controller *reboot* is likely to occur whenever a power outage or voltage dip is sustained for more than one AC line cycle (1/50th or 1/60th of a second) or a number of line cycles, depending on the load and power supply. Critical station data will already be saved prior to any power quality event, but the NiMH battery option is available to prevent nuisance controller reboots/station restarts during extended or frequent power outages.
- An *optional* on-board NiMH battery pack. Installing this battery allows the controller to continue operation (without rebooting) over short power outages or brownouts lasting several seconds (or if also using SRAM, up to 10 minutes). For longer duration outages, the battery allows the controller to perform a "controlled shutdown", safely backing up the station before shutting down.

Note if necessary, the JACE can use *both* the NiMH backup battery *and* available SRAM for backup protection (prior to build 3.6.45 of NiagaraAX, SRAM support required *removing* backup batteries). Configuring for *both* backup battery and SRAM support provides the most comprehensive backup protection. This allows the controller to "ride out" brief power outages, while also protecting against a scenario of a battery too weak (or aged) to perform a controlled shutdown.

SRAM

The controller's NPM3E or NPM6E processor module includes on-board SRAM and associated circuitry, allowing "battery-less" operation. This is the same circuitry as provided by the "SRAM option card" for earlier QNX-based JACE models, available since the initial release of AX-3.6. Therefore, an SRAM option card is *not needed* (or supported) in a J-300E or J-600E controller.

The default configuration is to use SRAM for station backup, via the platform "DataRecoveryService" that is automatically created in the controller's running station. However, in some cases, a station may be a poor candidate for SRAM support, requiring too many resources by this associated platform service. An example is a station with many rapidly changing values all captured as histories, on COV. In this case, you may wish to *disable* SRAM support, and install and use *only* the optional NiMH battery pack.

For an overview, see "About Backup Configurations," page 24. Complete NiagaraAX details on the operation of the controller's integral SRAM are in the *JACE Data Recovery Service (SRAM support) - Engineering Notes* document.

NiMH battery pack

A custom 10-cell NiMH (nickel metal hydride) battery assembly is available as a *separately orderable option* for a J-300E or J-600E controller. This battery assembly includes a metal bracket with the tie-wrapped NiMH battery pack. It is the same battery assembly installed in the previous JACE 2/6 series controllers.

This battery allows the controller to continue station operation through short power bumps, ranging from a few seconds to a minute or more in duration (up to 10 minutes, if also using SRAM). If a longer outage, the NiMH battery provides enough run time for the unit to backup data and then shutdown. Shutdown occurs automatically, after data is backed up to on-board flash memory.

The controller charges the battery during normal operation, until fully charged. Typically, the charge operation completes within 18 hours. Following a power outage, the battery is charged again, as necessary. The power and battery circuitry is monitored by a station running on the JACE (via its PowerMonitorService). Station alarms are generated whenever primary power is lost, or if the battery is uncharged or unable to hold a sufficient charge.



Note A NiMH battery characteristic is to lose charge if not left in charge mode (trickle charge). Leaving the battery unconnected, or in the unit powered off will cause the battery to fully discharge in a matter of weeks. Note that a new NiMH battery may be partially discharged. Therefore, allow at least 18 hours for a new battery to charge if it has not been in a powered unit.

The NiMH battery assembly should be replaced approximately every three years, or more often if the unit is in a high temperature environment. For more details, see the [“NiMH Battery Installation and Maintenance”](#) section on page 27

Status LEDs

The controller includes several LEDs that can help determine the status of the unit. They are located in two places: the top of the controller, visible through the cover, and for serial ports, on the bottom board (only with cover removed).

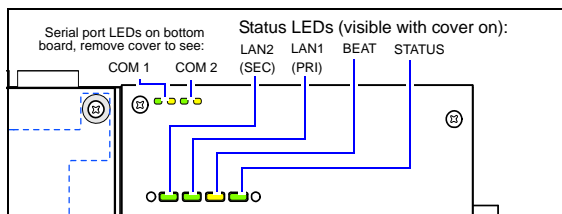
From left-to-right these LEDs include:

Visible on cover:

- Ethernet Ports
- Heartbeat
- Status

Bottom board only:

- Serial Ports



Ethernet Ports

Each Ethernet port has a green LED, labeled on the top cover “LAN2” (or “SEC”), and “LAN1” (or “PRI”). The LED indicates *activity* on that LAN2 (secondary) port or LAN1 (primary) port as follows:

- **Off** — No Ethernet link is made.
- **On** — Ethernet link is present, but no activity on the LAN.
- **Blinking** — Ethernet link is present with data activity on the LAN.

Heartbeat

A yellow heartbeat “BEAT” LED is next to the Ethernet LEDs, also visible on the cover. In normal operation, this LED blinks at 1 Hz, at 50%/50% on/off duty cycle.

During controller bootup, this LED blinks at 1 Hz with a 90%/10% on/off duty cycle on any controller running AX-3.7 update 1 (build 3.7.105) or later. When bootup completes, the platform daemon is started, and the normal (50%/50%) duty cycle heartbeat flash pattern returns.



Caution This same 90%/10% on/off “BEAT” flash occurs during *critical operations*, such as any firmware upgrade (in progress) to the controller and/or any attached I/O modules. To be safe, **do not remove power from the controller** while its “BEAT” LED flashes with a 90%/10% on/off duty cycle. Wait for the normal (50%/50%) flash to return before removing power.

If the “BEAT” LED stays on constantly, does not light, or blinks very fast—more than 1Hz (once per second), contact System Engineering for technical support.

Status

The green “STATUS” LED is next to the heartbeat LED, and is visible on the cover. This LED provide a CPU machine status check, and should remain lit whenever the controller is powered. If the status LED does not light while power is applied, contact System Engineering for technical support.

Serial Ports

LEDs for the two serial ports are located on the controller's bottom board, on the opposite side of the RS-232 and RS-485 ports. Labels "COM1" and "COM2" correspond to the software configuration of the COM ports. LEDs show the transmit and receive activity for the serial ports and optional modem.



Note You must remove the cover to see these LEDs. See ["Removing and Replacing the Cover,"](#) page 10.

- The **yellow** transmit LED indicates that the controller is sending data out the serial port over a communications line to a connected device.
- The **green** receive LED indicates that the controller is receiving data from a connected device.

Serial port LEDs provide a fixed on-time when data is detected on the port. If the receive LED is on constantly, this indicates a problem with the communications channel, such as a shorted wire or reversed wiring.

Maintaining the Controller

This section provides information on the following topics:

- [Cleaning](#)
- [NiMH Battery Installation and Maintenance](#) (optional)
- [Replacement Parts](#)
- [Replacing the Controller Base Assembly](#)
- [Returning a Defective Unit](#)

Cleaning

If dust or metal filings are present inside the unit, clean with vacuum or compressed air. Otherwise, no cleaning inside the unit is required. Optionally, if the cover becomes dirty, you can wipe it with a damp cloth and mild detergent.

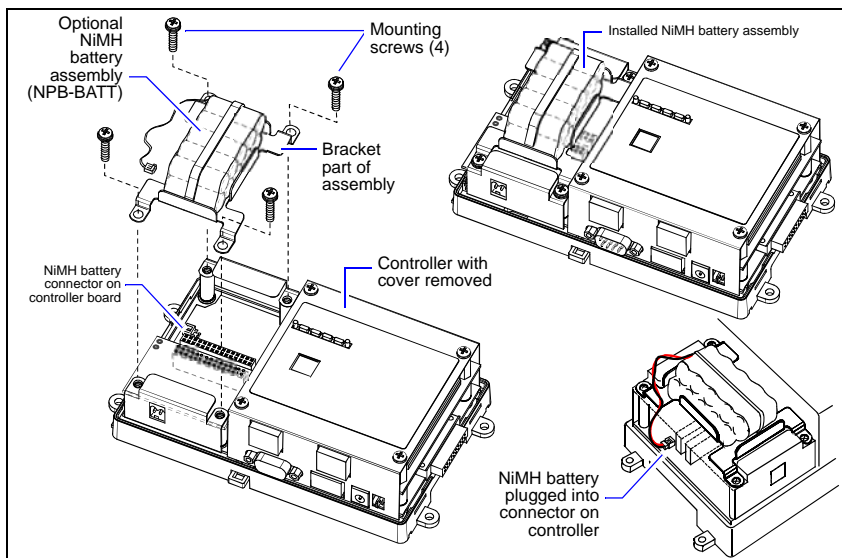
NiMH Battery Installation and Maintenance

- [Installing or replacing the optional NiMH battery](#)
- [Battery maintenance](#)
- [Battery disposal](#)

Installing or replacing the optional NiMH battery

The optional NiMH battery pack is sold as an assembly, that is a custom battery pack with an attached cable and connector plug, mounted on a bracket. To install (or replace) the battery, you must remove power to the controller and remove its cover. Then you mount the battery assembly on top of the option card area ([Figure 9](#)).

Figure 9 Optional NiMH battery pack in J-300E or J-600E controller.



Caution Use only NiMH battery packs approved for use with the controller.

Procedure 8 Installing/replacing J-300E or J-600E controller NiMH battery assembly.

- Step 1 If replacing an *existing battery* in a controller not currently configured for SRAM usage, **backup** the controller's configuration to your PC using the appropriate NiagaraAX software tool (for example, Workbench).
- Step 2 If a station is running, **stop** it using the platform Application Director view.
- Step 3 Remove all power from the controller. Wait for all LED activity to stop (if a battery is already installed, this may take a minute or two).
- Step 4 Remove the cover. See "[Removing and Replacing the Cover](#)," page 10. Note the Option Slot area where the NiMH battery assembly mounts.
- Step 5 If a battery assembly is already mounted, unplug the battery from the connector on the controller board (see [Figure 9](#)).
- Step 6 Remove the four screws that secure both option slot end plates (and if installed, the existing battery assembly bracket). Set the screws aside. Remove any existing battery assembly (if applicable).
- Step 7 Plug the battery connector plug of the new battery assembly into the battery connector on the controller (see [Figure 9](#)).
- Step 8 Set the new NiMH battery assembly on top of the option card slots, over the option card end plates. Ensure the bracket mounting holes are aligned with the standoffs.

Step 9 Place the four screws through the battery bracket, option card end plates, and into the standoffs on the controller's base board. Using a screwdriver, hand tighten these screws.

Step 10 Replace the cover.

Step 11 Restore power to the controller and verify normal operation.

Battery maintenance

Battery life expectancy is a function of its discharge cycles (the number of discharges and their depth) and the ambient temperature of the battery during normal operation. In most applications, the NiMH battery should see relatively few discharges. Therefore, ambient temperature has more to do with the life expectancy of the battery than does any other factor. If the controller is installed in a conditioned space, this battery should provide dependable service for approximately three years (average). In an environment where the operating temperature reaches the highest range (50°C or 122°F), you should only expect the battery to last around one year.

A new NiMH battery is typically only partially charged when shipped. Additionally, NiMH batteries lose charge over time if not kept trickle-charged (for more details, see “[NiMH battery pack](#),” page 25). Therefore, even a new or replacement battery will require up to 18 hours of powered operation before it can provide reliable backup power (is at full charge).

The controller monitors the NiMH battery and periodically loads the battery to test its ability to maintain battery-backed functions. Investigate any battery trouble message, and check the battery connections to the unit. Replace the battery as required. To order a new battery, see “[Standard Replacement Parts](#),” page 30.

Battery disposal

Please dispose of the used NiMH battery in accordance with local, state, and federal regulations.



Warning Do not incinerate or mutilate the battery, as this may cause it to burst or release toxic materials.

If regulations specify returning the old battery to a recycling center, but no acceptable recycling center can be found, please return the old NiMH battery pack to Tridium for proper disposal.

Replacement Parts

Servicing the controller may call for replacement parts. There are three categories of parts:

- [Non-replaceable Parts](#)
- [Standard Replacement Parts](#)
- [New Replacement Unit](#)

Non-replaceable Parts

Other than the parts listed in the replacement parts sections, there are no serviceable components on the base assembly.

Memory

Any addition, modification, or replacement of memory components requires software configuration and is not a field upgrade. For additional information on modifying the memory capacity of the controller, consult your regional Tridium office.

Fuse

The controller contains a non-user replaceable fuse, soldered on the circuit board. This fuse provides protection from internal shorts or connection to incorrect power supplies. If the fuse circuitry is suspect, contact your regional Tridium office for technical support. See the [“Returning a Defective Unit”](#) section on page 33.

Standard Replacement Parts

Standard replacement parts are listed in [Table 4](#), and can be ordered from stock without restriction. Standard replacement parts cannot be returned for credit and should be disposed of in an appropriate manner.

Table 4 Standard replacement parts for a J-300E or J-600E controller.

Part Number	Description
NPB-BATT	Optional NiMH Battery Pack—see “NiMH Battery Installation and Maintenance,” page 27
10027	RS-485 connector plug, 3-position.

New Replacement Unit

To replace an entire unit, order and install a **new** J-300E or J-600E controller. If the faulty controller is **still in warranty**, you can receive credit by returning it. Be sure to contact the vendor for a return authorization (RA) number before shipping an item for return credit. See [“Returning a Defective Unit,”](#) page 33, for more details.



Note Before ordering a new controller, it is strongly recommended that you contact your normal technical support resource to eliminate the possibility of a software issue or mis-configuration problem.

Replacing the Controller Base Assembly



Note Before handling circuit boards, discharge any accumulated static by touching a nearby earth ground. For details, see the “[Static Discharge Precautions](#)” section on page 6.

To replace a controller with a new replacement unit, proceed as follows:

Procedure 9 Replacing a J-300E or J-600E controller.

- Step 1 If possible, use the appropriate NiagaraAX software tool to back up the controller’s configuration to your PC.
- Step 2 Remove power to the controller. The unit should power down automatically. Wait for all LEDs to remain off.



Note If IO accessory modules are installed, and any I/O points have voltage, turn the devices off or disconnect power to them.

- Step 3 Note positions of all communications and other wiring cables going to the controller, as well as installed accessory modules (if they must be removed). If necessary, label connectors and accessory modules to avoid mis-connection later, after the controller is replaced.
- Step 4 Unplug all Ethernet, serial, LON, modem, and I/O connectors from the controller.
- Step 5 If IO accessory modules are installed:
- If DIN rail mounting with DIN end-clips was used, you may be able to remove the DIN rail end clip that secures the JACE-6 end of the assembly, and then slide the controller away from the rest of the assembly. Then you can remove the controller from the DIN rail (see [Figure 1](#) on page 9), leaving the mounting and wiring of IO modules untouched.
In this case, after removing the controller from the DIN rail, go to [Step 6](#).
 - If tab (screw) mounting was used *instead* of DIN rail mounting, or if a combination of DIN mounting and tab screws was used (into the controller’s “accessory side” tab holes, see last page), you will need to remove accessory modules *first*, before removing the controller. In this case:
 - a Making a careful note of all wiring terminations, unplug the I/O connector plugs and earth ground wires from the installed IO modules.
 - b Remove the installed accessory modules, starting with the end module.
 - c Remove any screws fastening the controller, and remove it (see [Figure 1](#)).
- Step 6 Remove the cover of the old unit. See “[Removing and Replacing the Cover](#),” page 10. Note the position of installed option cards, if any. You must transfer them to the replacement controller.

- Step 7 Remove any option cards from the old controller and install them into the replacement controller, if applicable. See [“Installing an Option Card,”](#) page 12 for more details.
- Step 8 Check the RS-485 biasing jumpers on the existing unit, and duplicate on the replacement unit (see [Procedure 4](#) on page 21).
- Step 9 Mount the replacement controller as it was previously, using the same DIN rail location and/or screws.
- Step 10 Reconnect/remount any removed accessory modules, being careful to replace in the same order, using the same DIN rail location and/or screws. Secure all modules as done previously.
- Step 11 Reconnect the earth ground wire to the controller’s grounding lug and any installed accessory modules.
- Step 12 Reconnect any Ethernet, serial, modem, and I/O connectors.
- Step 13 If using IO modules, and any of your I/O points have voltage, turn the devices back on, or reconnect power to them.
- Step 14 Replace the cover. See [“Removing and Replacing the Cover,”](#) page 10.
- Step 15 Restore power to the unit. It should boot up as a new unit (see [“Check the Status LED,”](#) page 23).
- Step 16 Using the NiagaraAX platform tools, re-commission the controller, and install the saved station database. For more details, see the *JACE NiagaraAX Install and Startup Guide*.

Returning a Defective Unit

For proper credit on an in-warranty unit, ship the defective unit to Tridium within 30 days.



Note If the defective unit is under warranty, please follow return instructions provided in this section. If the unit is **out of warranty**, please discard it, observing all recycling regulations (see “WEEE (Waste of Electrical and Electronic Equipment),” page 7).

- Do not return an out-of-warranty JACE-6E controller.
-

Prior to returning the unit, contact one of the following Tridium offices to obtain a return materials authorization (RMA) number and other instructions.

Please provide:

- Product model
- Serial number
- Nature of the defect
- PO number to secure the RMA

United States

Phone: 804-254-7086, ext. 11

Email for RMA: rma@tridium.com

Return to:

Tridium, Inc.
2256 Dabney Road, Suite C
Richmond, VA 23230
Attn: Return Department RMA# _____

Europe

Phone: +44 (0) 1403 740290

Fax: +44 (0) 1403 741804

Email for technical support: supportuk@tridium.com

Email for product orders: ordersuk@tridium.com

Return to:

Tridium Europe Ltd
1, The Grainstore
Brooks Green Road
Coolham, West Sussex
RH13 8GR United Kingdom
Attn: Return Department RMA# _____

Asia/Pacific

Phone: +65 6887 5154

Fax: +65 6887 5342

Email for technical support: hclim@tridium.com

Return to:

Tridium Asia Pacific Pte Ltd
17 Changi Business Park Central 1
Honeywell Building
Attn: Mr Lim Hoon Chat, Engineering Mgr.
Singapore 486073
Attn: Return Department RA# _____

Australia/Asia Pacific Sales:

Phone: +61 4 1264 4234

Email: mhodder@tridium.com

Certifications

The JACE-3E (J-300E) and JACE-6E (J-600E) controller each has the following agency listings, compliances, and certifications:

- UL 916 - Underwriters Laboratories, Energy Management Device, CAN/CSA C22.2 Canadian Safety Standards
- FCC Part 15, Class B - Federal Communications Commission
- ICES-003, Class B - Industry Canada Interference-Causing Equipment Standard
- EU 202/95/EC RoHS (Restriction of Hazardous Substances)
- CE Declaration of Conformity (Council Directive 004-108-EC)

For complete details on listings, compliances, and certifications for these controllers, see the document *Agency Listings and Approvals for Tridium Hardware Products*.

Tab Mounting Dimensions

Measurements are in inches and (mm). Note that DIN mounting is recommended over tab mounting. See [Figure 1](#) on page 9.

