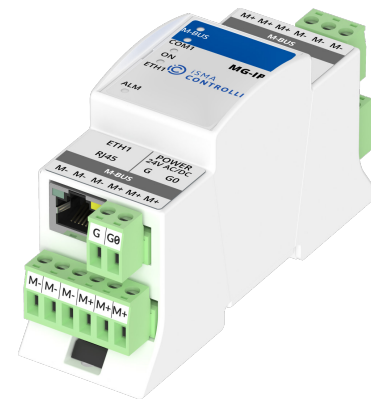


Meter Gateway

MODEL	DESCRIPTION
iSMA-B-MG-IP	Meter Gateway with a built-in M-Bus to M-Bus IP gateway with power supply for up to 60 devices and Modbus TCP/IP to Modbus RTU gateway



APPLICATION AND USE

The MG-IP multiprotocol meter gateway is designed to simplify the integration of water, electricity, gas, and other meters installed in the building to the BMS using an IP connection. The device allows a simultaneous integration of up to 180 meters of various types. The M-Bus interface allows for communication and power supply of up to 60 M-Bus meters. The maximum current must not exceed 130 mA. The RS485 interface allows for connecting of up to 128 Modbus devices. The device address and Modbus baud rate are set using DIP switches. The built-in TCP/IP interface provides the ability to use an existing LAN infrastructure and allows for distributed meter monitoring systems. The MG-IP device configuration is possible with the built-in web server or dedicated software, the iSMA Configurator.

FEATURES

- M-Bus TCP/IP to M-Bus gateway
- M-Bus UPD/IP to M-Bus gateway
- Modbus TCP/IP to Modbus RTU/ASCII gateway
- Built-in configuration web server
- Dedicated iSMA Configurator software
- Built-in power supply for up to 60 M-Bus meters (up to 130 mA)
- Mini USB allows for powering the device and simplifies the configuration and updates

TECHNICAL SPECIFICATION

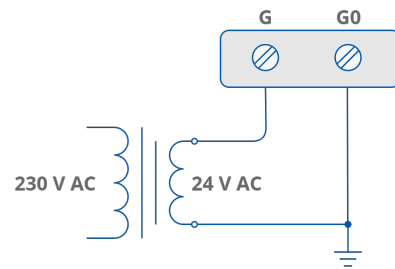
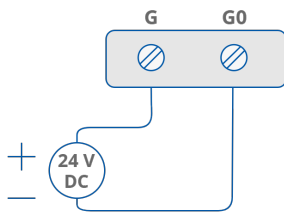
DESCRIPTION		MG-IP
Power supply	Voltage	24 V AC/DC \pm 20%
M-Bus	Bus	Up to 60 devices
	Baud rate	From 300 to 38400
COM1	RS485 interface	Up to 128 devices
	Communication protocol	Half-duplex
	Ports	Modbus RTU/ASCII
	Baud rate	Screw connector
ETH1	Communication protocol	2400-115200
	Baud rate	Modbus TCP/IP
	Port	10/100 Mb/s
USB1	mini USB	RJ45
Ingress protection	IP rating	2.0
Temperature	Storage	IP 40 for indoor installation
	Operating	-40°C to +85°C (-40°F to +185°F)
Humidity	Relative	-10°C to +50°C (14°F to 122°F)
		5 to 95% RH (without condensation)

The performances stated in this sheet can be modified without any prior notice.

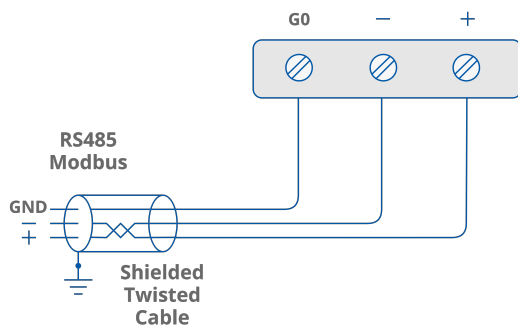
DESCRIPTION		MG-IP
Screw connectors	Type	Removable screw terminals
	Maximum cable size	2.5 mm ² (18...12 AWG)
Housing	Material	Self-extinguishing plastic (PC/ABS)
	Mounting	DIN (DIN EN 50022 norm)
Dimensions	Width	36.30 mm/1.43 in
	Length	111.40 mm/4.38 in
	Height	62.00 mm/2.44 in

WIRING DIAGRAMS

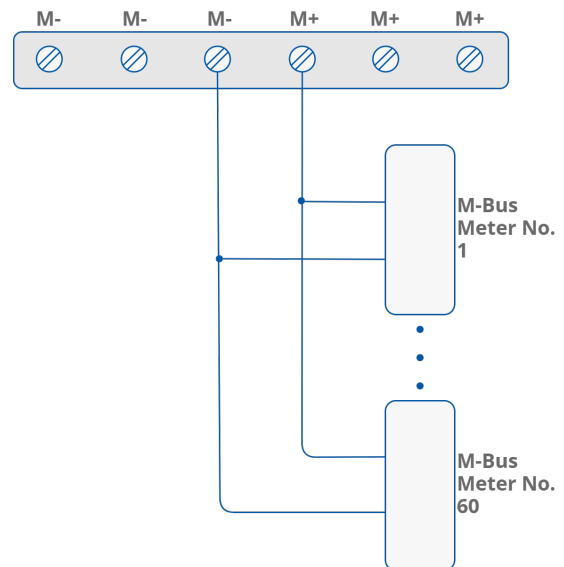
Power Supply



Communication



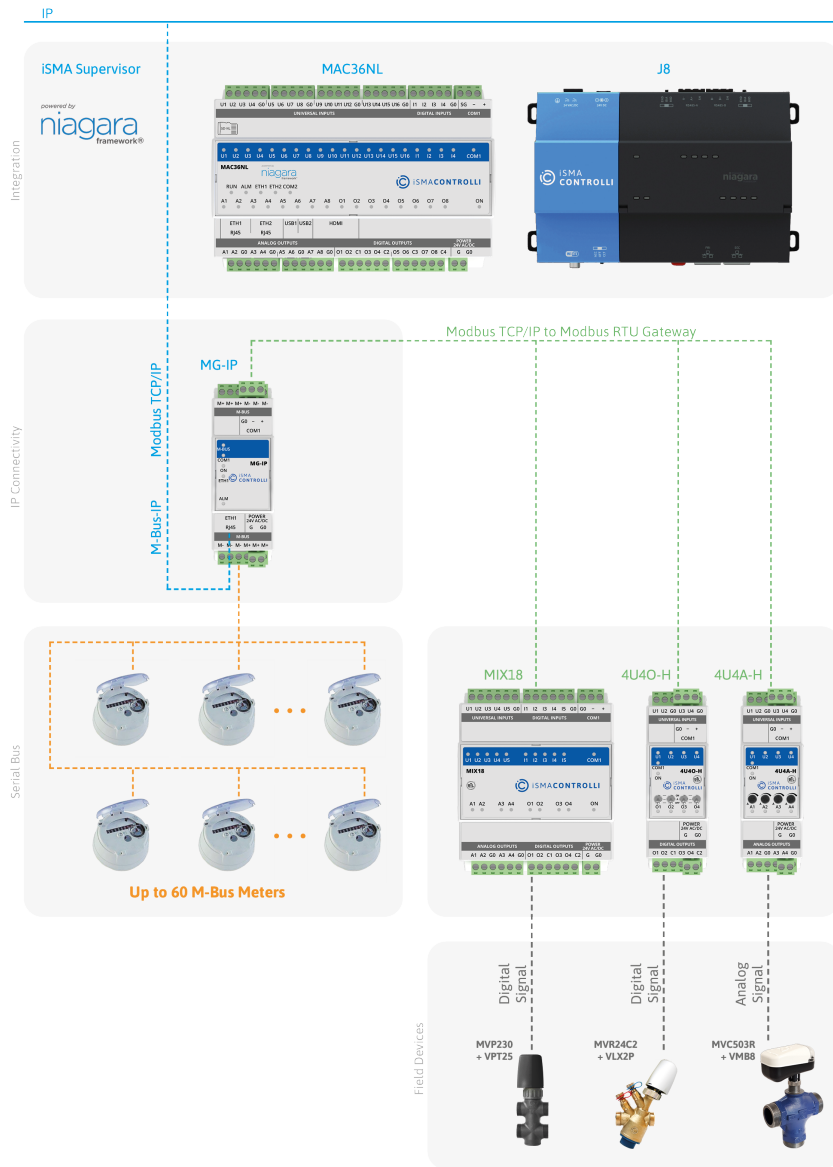
M-Bus Network



DEDICATED SOFTWARE



iSMA Configurator - configuration tool for non-programmable iSMA CONTROLLI devices



DIMENSIONS [mm]

