

MODEL	DISPLAY	SENSORS		
		TEMPERATURE	CO <sub>2</sub>	HUMIDITY
TP-B/W*		•		
TP-C-B/W*		•	•	
TP-H-B/W*		•		•
TP-HC-B/W*		•	•	•
TP-DISP-B/W*	•	•		
TP-C-DISP-B/W*	•	•	•	
TP-H-DISP-B/W*	•	•		•
TP-HC-DISP-B/W*	•	•	•	•



\*B/W: all panels are available in black or white, which is reflected in the last letter of the product code, e.g., TP-H-DISP-B or TP-C-W.

## APPLICATION AND USE

The Touch Point is a modern comfort management wall panel with two most popular open communication protocols: Modbus RTU/ASCII and BACnet MS/TP. The Touch Point is available in different configurations of sensors (temperature, CO<sub>2</sub>, and humidity), colors, versions with or without display, and touch buttons. The panel can be configured using the iSMA Configurator software or Modbus registers/BACnet objects. It fits most of standard junction boxes in Europe and can easily be installed using a wall back box.

## FEATURES

- Modern and smart design
- Intuitive management
- Ease of installation and configuration
- Multiprotocol interface
- Ultimate flexibility
- Free software: iSMA Tool & iSMA Configurator
- Five touch function buttons
- RS485 interface
- Modbus RTU/ASCII and BACnet MS/TP
- Temperature sensor as a standard, humidity and CO<sub>2</sub> sensors as an option
- USB type C interface
- DIP switches for configuration
- Buzzer
- Navigation RGB LED

## TECHNICAL CHARACTERISTICS

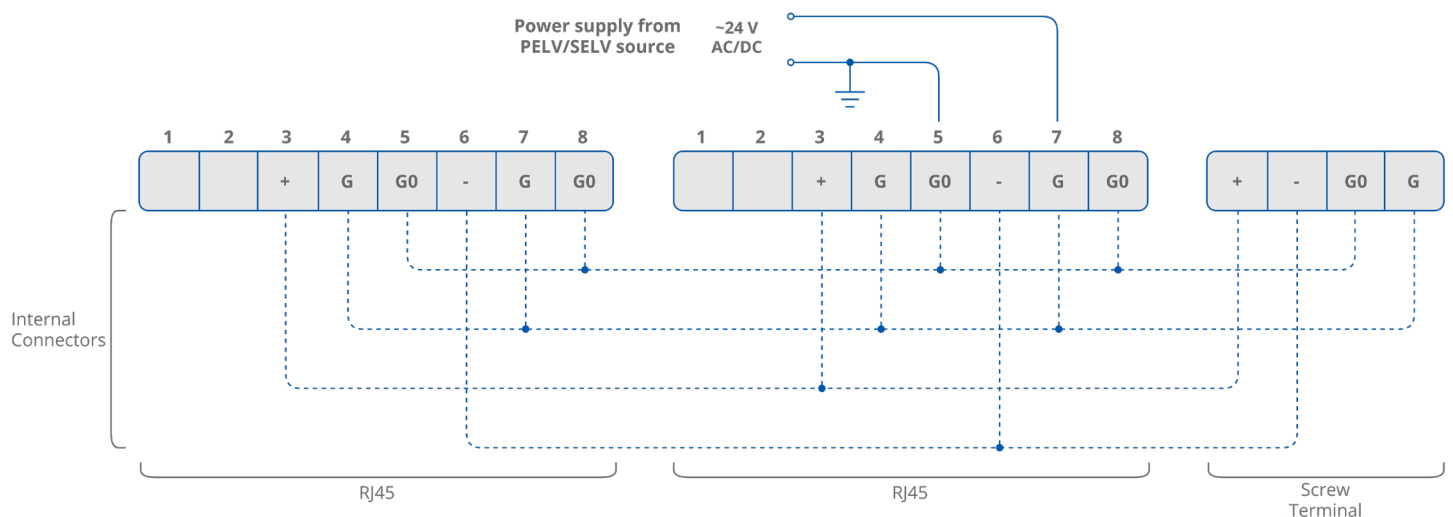
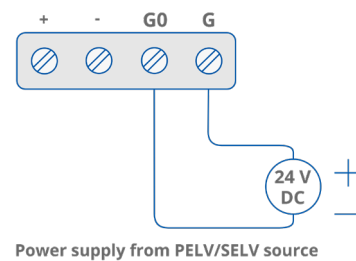
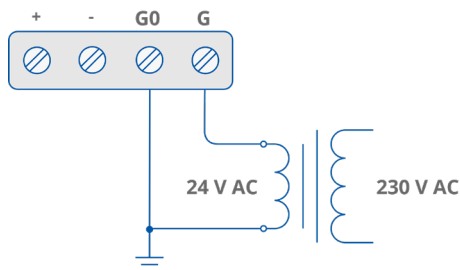
DESCRIPTION		TP
Power supply	Voltage	20-34 V DC 24 V AC ± 20%
	Power consumption	0.5 W at 24 V DC, 0.75 VA at 24 V AC Up to 1 W peaks in max. configuration
Built-in sensors	Temperature sensor	10k NTC type, range: 0-50°C, accuracy: ± 0.5°C, resolution: ± 0.1°C
	Humidity sensor (applies to version with humidity sensor)	Range: 0-100% RH, accuracy: ± 2% RH in range 10-90% RH, resolution: ± 0.1% RH
	CO <sub>2</sub> sensor (applies to version with CO <sub>2</sub> sensor)	Range: 400-4000 ppm, accuracy: ± 30 ppm
COM1	RS485 interface	Up to 128 devices Half- duplex
	Communication protocols	Modbus RTU/ ASCII, BACnet MS/TP
	Ports	2 RJ45 + screw connector

The performances stated in this sheet can be modified without any prior notice.

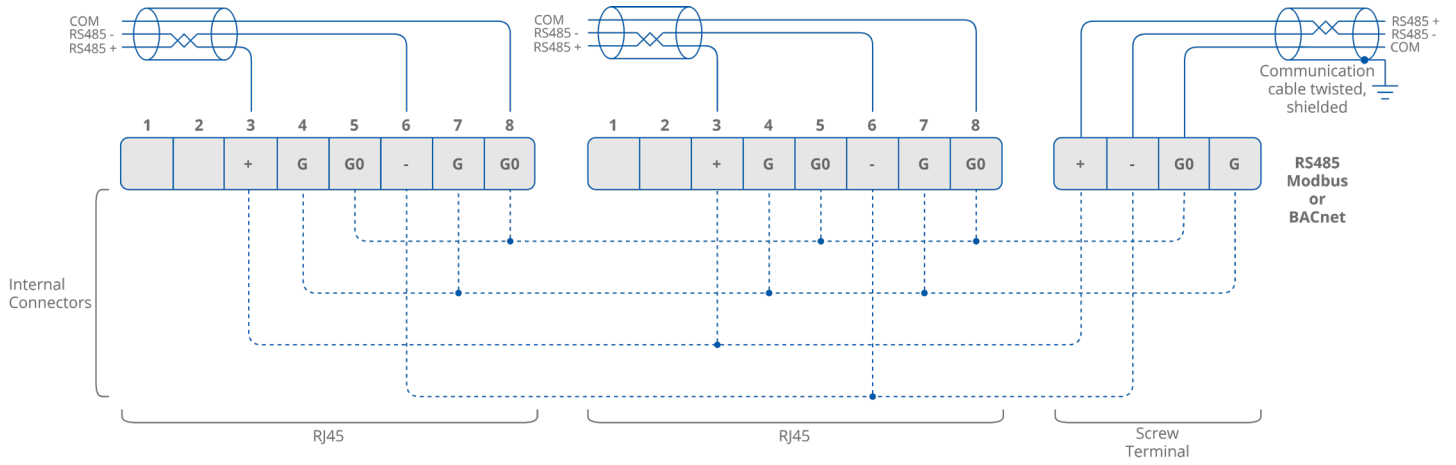
DESCRIPTION		TP
COM1	Baud rate	2400-115200
USB1	USB 2.0	USB type C
Front panel	Surface	White/black glass
	Display (applies to version with display)	TFT 0.96"
	Backlight	3 intensity modes
	Buttons	5
	LED	3 blue and 3 red for temperature 3 white for fan 1 white for occupancy 1 configurable RGB
Ingress protection	IP rating	IP20 for indoor installation
Temperature	Operating	From 0°C to +40°C
	Storage	From -40°C to +70°C
Humidity	Relative	From 5% to 95% RH (without condensation)
Screw connector	Type	Removable screw terminals
	Maximum cable size	1.5 mm <sup>2</sup> (24...16 AWG)
Housing	Material	Plastic, self-extinguishing ABS
	Mounting	Standard 60 mm wall back box
Dimensions	Width	86.00 mm/3.39 in
	Length	86.00 mm/3.39 in
	Height	14.50 mm/0.57 in

## WIRING DIAGRAMS

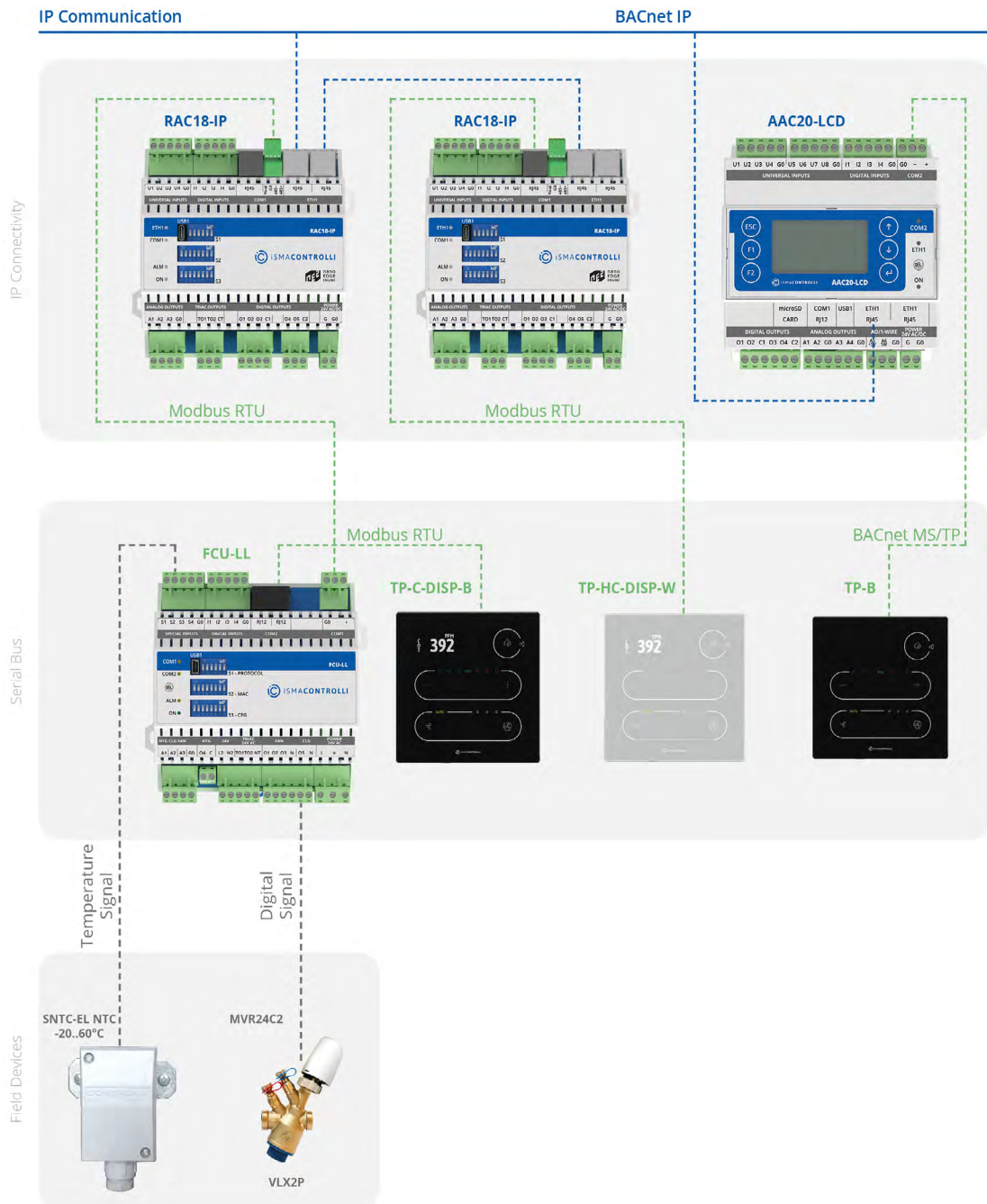
### Power Supply



## Communication



## APPLICATION EXAMPLE





iSMA Configurator - configuration tool for non-programmable iSMA CONTROLLI devices

DIMENSIONS [mm]

